

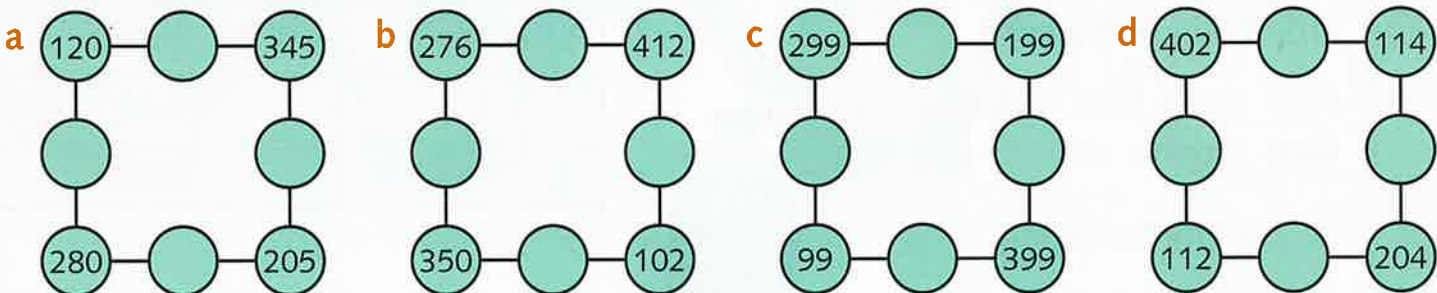
Number squares

Add and subtract mentally, whole numbers and decimals

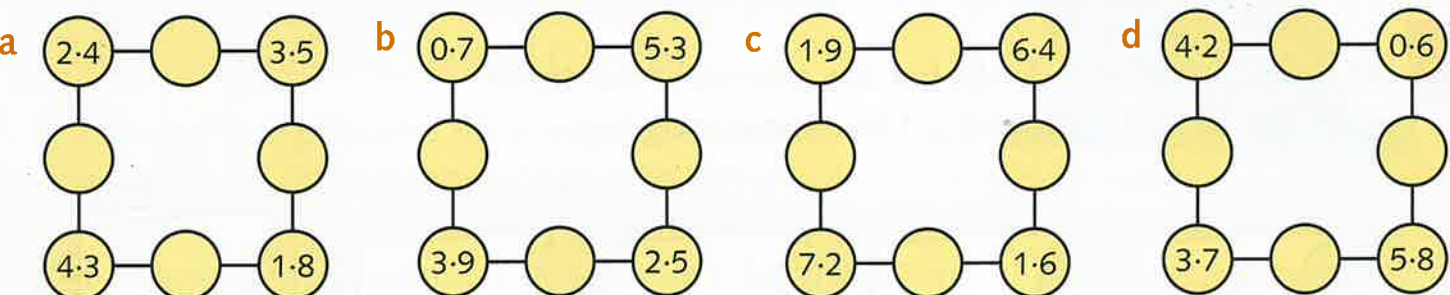


Copy and complete these number squares.

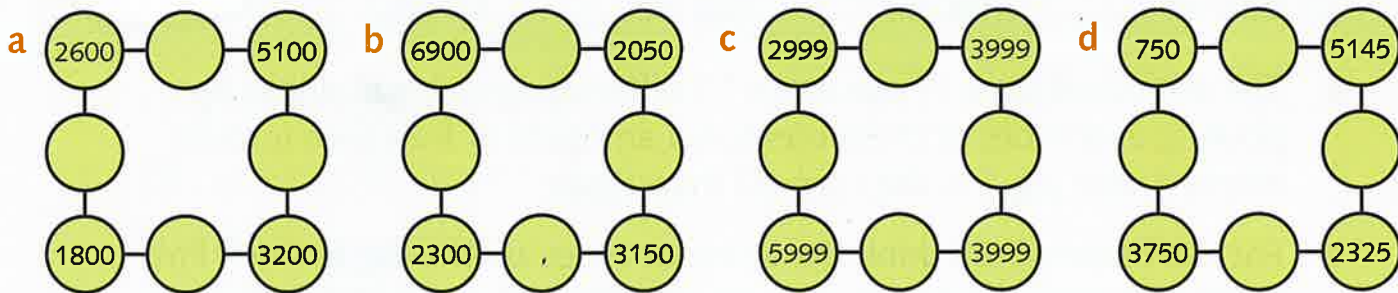
1 In these squares, each side totals 1000.



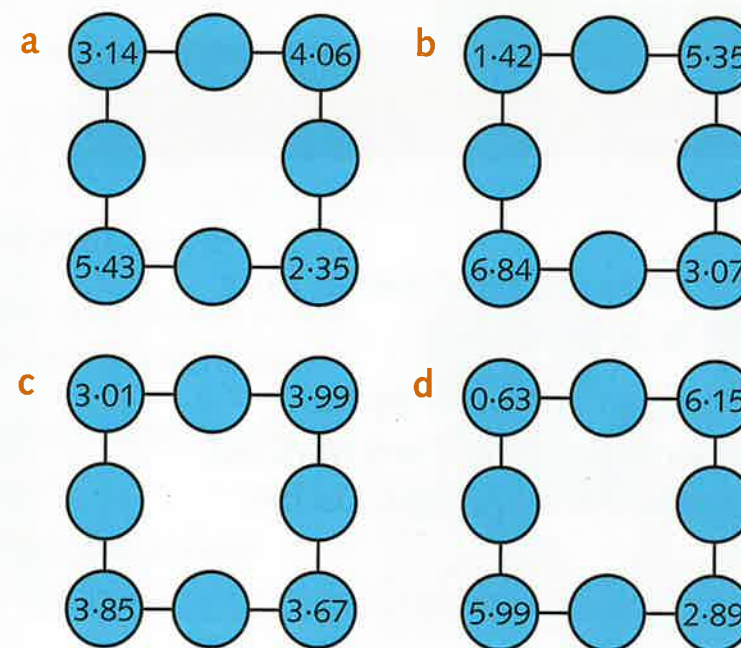
2 In these squares, each side totals 10.



1 In these squares, each side totals 10 000.

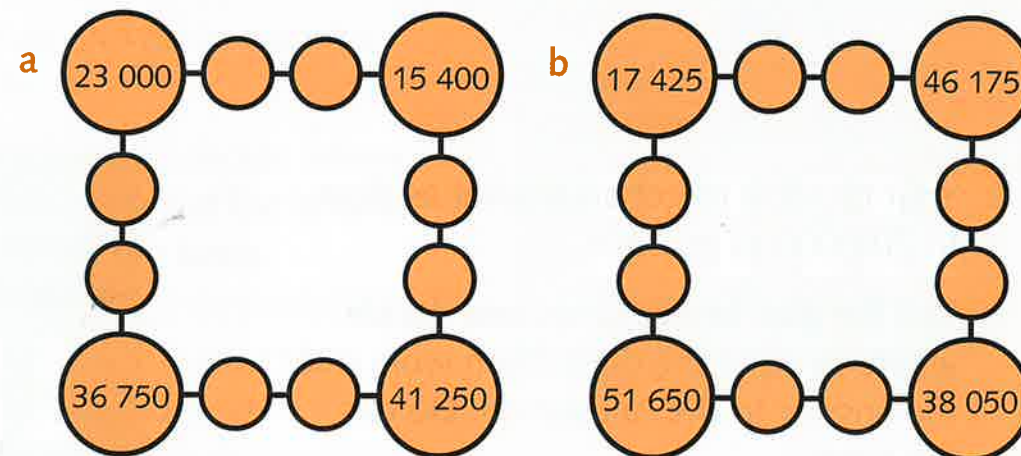


2 In these squares, each side totals 10.



Challenge 3

1 In these squares, each side totals 100 000. What could the two missing numbers be?



2 In these squares, each side totals 20. What could the two missing numbers be?

